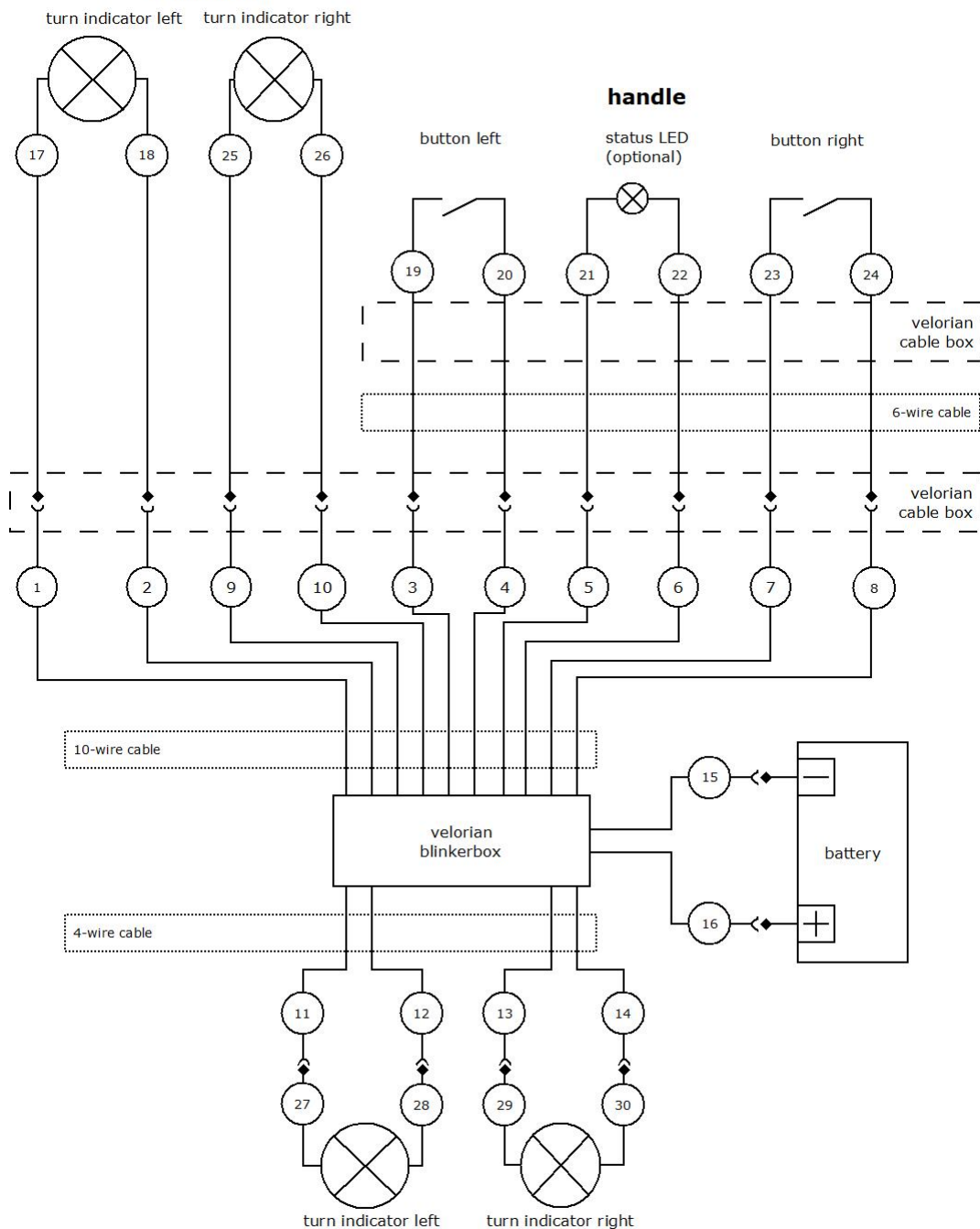


cargo box



rear

Pin assignment for push button operation

10-wire cable of the blinkerbox

1	blue	17	Indicator front left + (yellow/red*)
2	red	18	Indicator front left - (black)
3	green	19	Button left front -
4	yellow	20	Button left front +
5	white	21	LED -
6	brown	22	LED +
7	grey	23	Button right front -
8	pink	24	Button right front +
9	black	25	Indicator front right + (yellow/red*)
10	violet	26	Indicator front right - (black)

4-wire cable of the blinkerbox

11	yellow	27	Indicator rear left + (yellow/red*)
12	green	28	Indicator rear left- (black)
13	brown	29	Indicator rear right + (yellow/red*)
14	white	30	Indicator rear right - (black)

2-wire cable of the blinkerbox

15	brown	Power supply - (black)
16	white	Power supply + (black/white)

Technical Data Blinkerbox alpha22 (Art.-Nr: 1010119810)

EMC approval	EN 55016-2-1; 2014-12
	EN 55016-2-2; 2011-09
Operating voltage	CISPR12 ,
	ISO 11451-1; 2015,
	ISO 11451-2; 2015,
	EN 15194
Operating voltage	6-55 Volt
Output	6 Watt
Operating temperature	-20 up to +85 °C
Flashing frequency	90 pulses ± 30 pulses per minute
Protection class	IP 65

* if article 2010102810 is installed, otherwise yellow